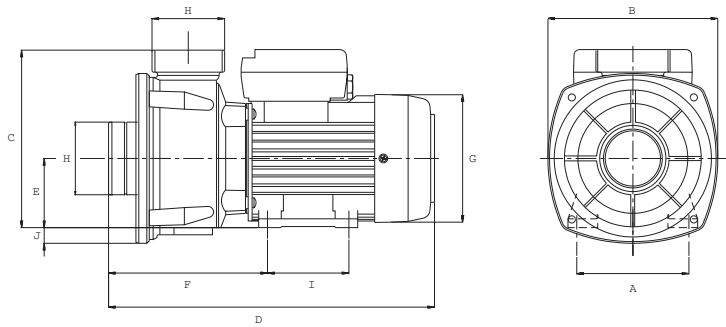
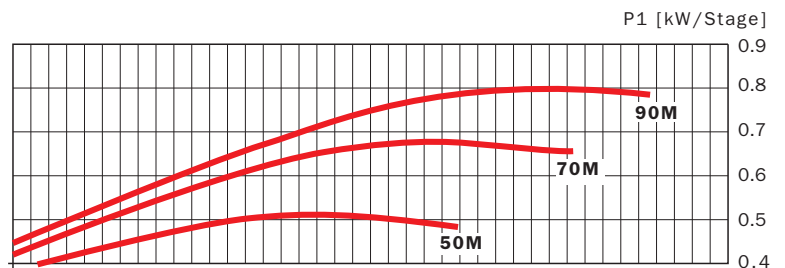
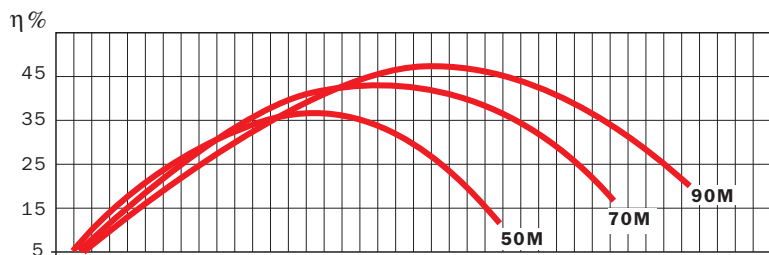
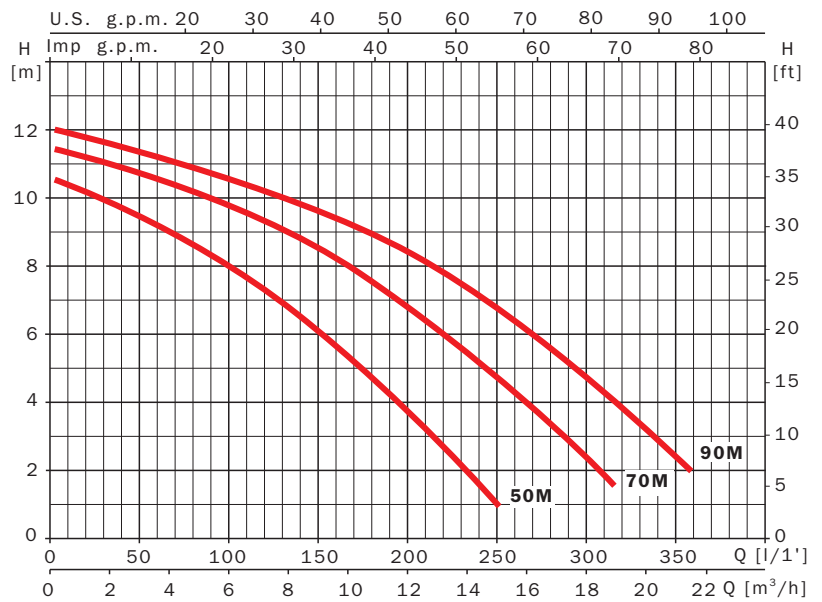




Wiper 0



	A	B	C	D	E	F	G	H	I	J	Kg
Wiper0 50 M	102	154.5	162	295.5	63	144.5	116	2 ^{1/4"}	74	15	5.7
Wiper0 70 M	102	154.5	162	295.5	63	144.5	116	2 ^{1/4"}	74	15	6
Wiper0 90 M	102	154.5	162	295.5	63	144.5	116	2 ^{1/4"}	74	15	6.8



Curvas de funcionamiento a 2900 r.p.m.
 Performance curves at 2900 r.p.m.

230 V 50 Hz	230/400 V 50 Hz	A			P1 (kW)		kW	HP	μF	l/1' m³/h	25	50	100	150	200	250	300	350
		1~ 230 V	3~ 230 V 400 V		1~	3~												
Wiper 0 50M		2.3			0.5		0.24	0.33	12	10	9.4	7.9	6.0	3.6	1			
Wiper 0 70M		2.9			0.64		0.37	0.5	12	11	10.6	9.7	8.5	6.6	4.5	2.2		
Wiper 0 90M		3.74			0.85		0.74	1.0	12	11.7	11.3	10.5	9.6	8.4	6.7	4.6	2.2	