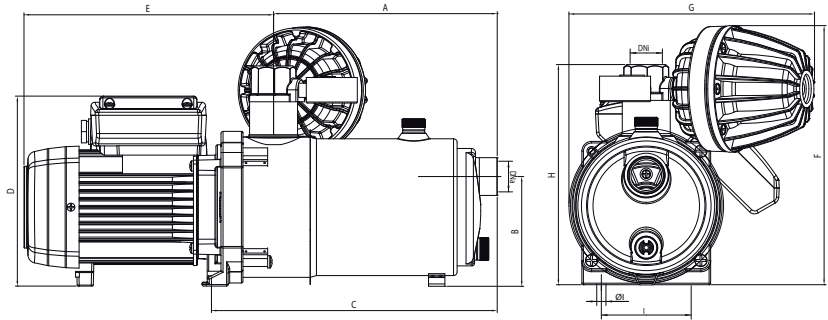
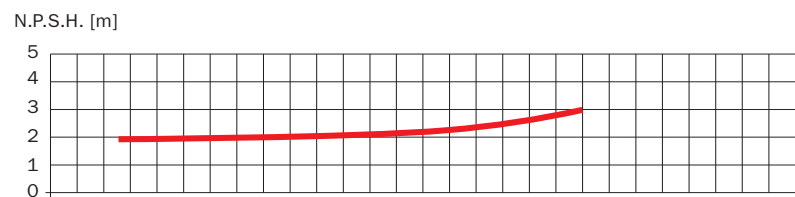
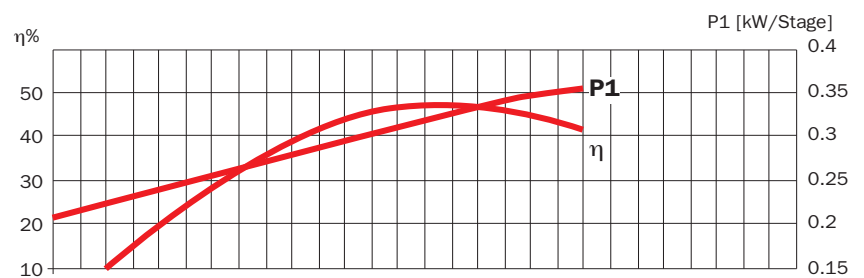
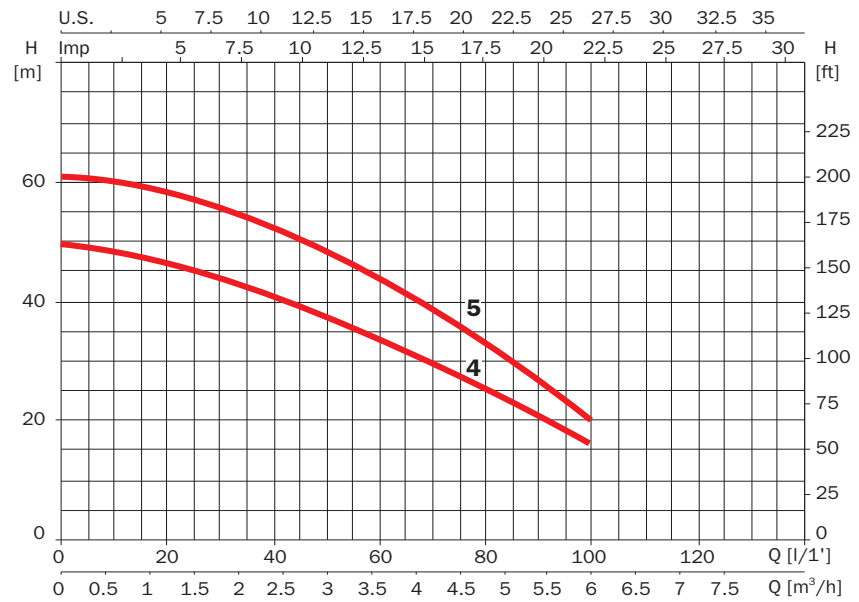


Tecnopres 25



	A	B	C	D	E	F	G	H	I	OI	DNa	DNi	Kg
Tecnopres 25 4	216.3	107.5	276.8	196.1	289.5	254	241	216.3	88	9	F1"	F1"	10.3
Tecnopres 25 5	242.6	107.5	303.1	196.1	289.5	254	241	216.3	88	9	F1"	F1"	11.2



Curvas de funcionamiento a 2900 r.p.m.
 Performance curves at 2900 r.p.m.

230 V 50 Hz	A	P1 (kW)	kW	HP	μF	L/1'	15	30	45	60	75	90	100
	1~ 230 V	1~				m³/h	0.9	1.8	2.7	3.6	4.5	5.4	6
Tecnopres 25 4M	6.8	1.5	0.92	1.25	16		47	44	40	34	28	20	15
Tecnopres 25 5M	7.4	1.7	1.1	1.5	25		58	55	50	43	35	27	20