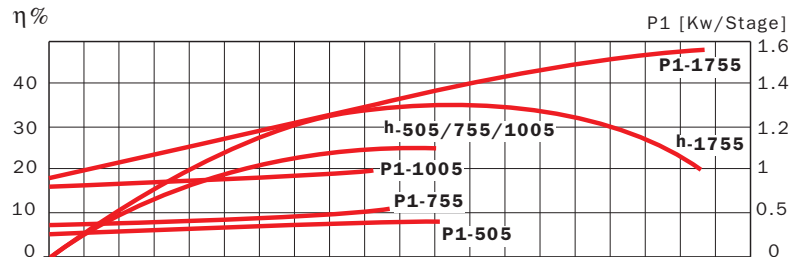
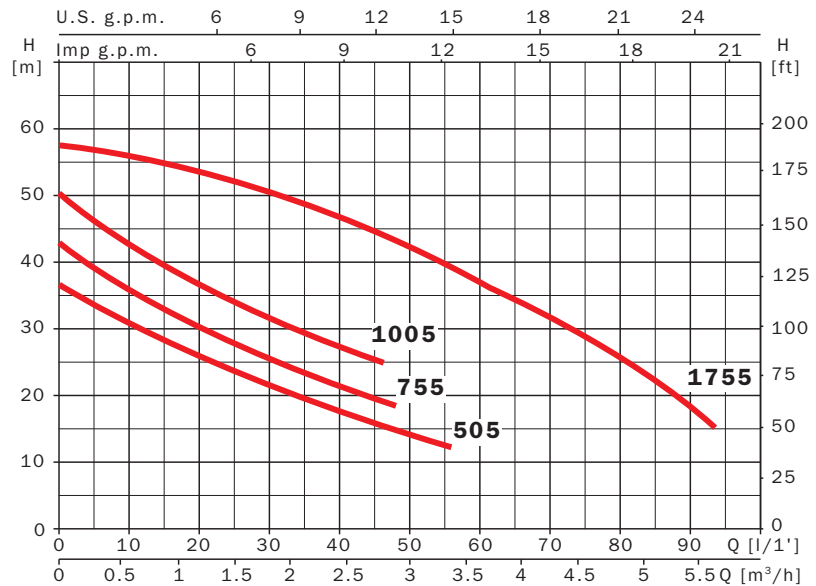
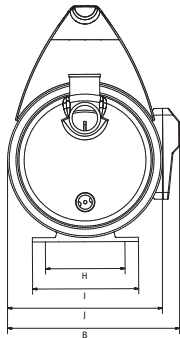
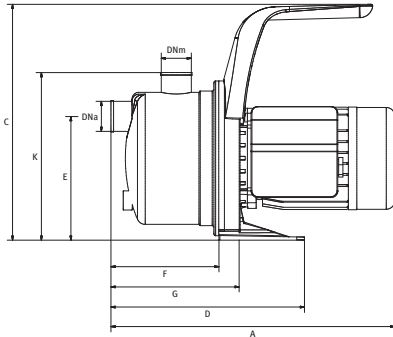


Delta

Dimensiones en mm.
Dimensions in mm.

| | A | B | C | D | E | F | G | Kg |
|-------------------|-----|-----|-----|--------|--------|--------|--------|-------------|
| Delta 505 | 95 | 185 | 195 | 150 | 337 | 25(1") | 25(1") | 7 |
| Delta 755 | 95 | 185 | 195 | 150 | 337 | 25(1") | 25(1") | 7,8/7,7 (T) |
| Delta 1005 | 95 | 185 | 195 | 150 | 367 | 25(1") | 25(1") | 9,7/9,6 (T) |
| Delta 1755 | 205 | 415 | 198 | 25(1") | 25(1") | - | - | 10,3 |

Curvas de funcionamiento a 3450 r.p.m.
Performance curves at 3450 r.p.m.



Características eléctricas
Electrical features

| Modelo/Model 60 Hz | HP | kW | Fases Phases | Voltaje Volts | P1 (kW) | A | μF |
|------------------------|------|------|-----------------|------------------|---------|------|----|
| Delta 505/1115 | 0,5 | 0,4 | 1 | 115 | 0,7 | 6,4 | 30 |
| Delta 505/1220 | 0,5 | 0,4 | 1 | 220 | 0,7 | 3,5 | 12 |
| Delta 755/1115 | 0,75 | 0,55 | 1 | 115 | 0,8 | 7,2 | 30 |
| Delta 755/1220 | 0,75 | 0,55 | 1 | 220 | 0,8 | 4 | 12 |
| Delta 1005/1115 | 1 | 0,75 | 1 | 115 | 1 | 9,5 | 30 |
| Delta 1005/1220 | 1 | 0,75 | 1 | 220 | 1 | 4,8 | 16 |
| Delta 1755/1115 | 1,2 | 0,9 | 1 | 115 | 1,5 | 13,8 | 30 |
| Delta 1755/1220 | 1,2 | 0,9 | 1 | 220 | 1,5 | 7,4 | 16 |

Altura manométrica en metros/ft
Manometric head in meters/ft

| | 2 mts 6,56 ft | 20 mts 65,62 ft | 25 mts 82,02 ft | 30 mts 98,43 ft | 35 mts 114,83 ft | 40 mts 131,23 ft | 50 mts 164,04 ft | |
|---|------------------|--------------------|--------------------|--------------------|---------------------|---------------------|---------------------|----|
| GASTO en litros por minuto FLOW in litres per minute | 55 | 34 | 22 | 11 | 2 | | | |
| | 55 | 34 | 22 | 11 | 2 | | | |
| | | 43 | 32 | 21 | 12,2 | 4 | | |
| | | 43 | 32 | 21 | 12,2 | 4 | | |
| | | | 47,5 | 31,5 | 26 | 14 | 7 | |
| | | | 47,5 | 31,5 | 26 | 14 | 7 | |
| | | | 88 | 81 | 73 | 64 | 54 | 32 |
| | | | 88 | 81 | 73 | 64 | 54 | 32 |